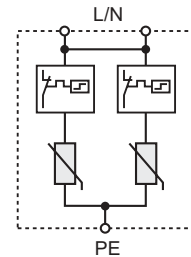




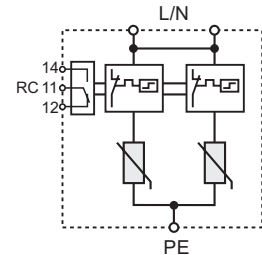
- **Category IEC / EN / VDE:** Class I / Type 1 / B+C
- **Purpose:** the RPBC-25 series of low cost, overvoltage surge protective devices has been developed to protect against partial direct and indirect lightning discharges and is intended to provide protection in zones 0_{A-1} as per PN-EN (IEC) 62305. It consists of two separate, high performance dual MOV blocks, each with a separate disconnection device
- **Application site:** the arresters are mounted in the main-distribution boards (MB)
- **Mounting:** direct mounting on 35 mm DIN rail mount, EN 50022
- **Status indication:** mechanical flag + remote contact RC
- **Remote signalisation:** RPBC-25/280/1 - without RC damage contact
RPBC-25/280/1R - with potential-free signaling RC damage contact
- **Housing:** compact design
- **Compliance with standard:** PN-IEC 61643-1
- **Recognitions, certifications:**



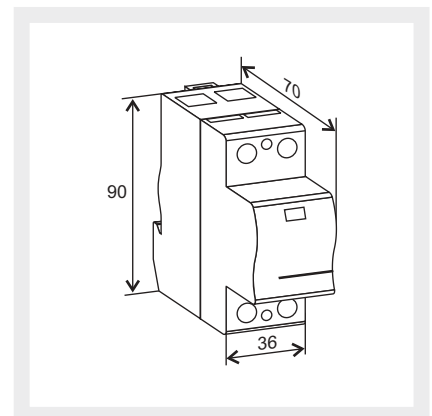
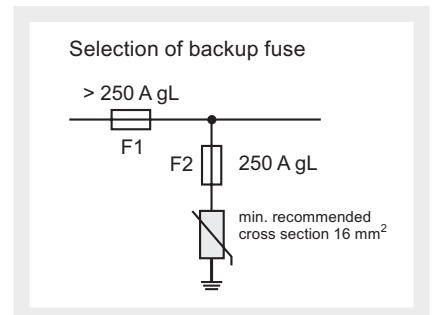
RPBC-25/280/1

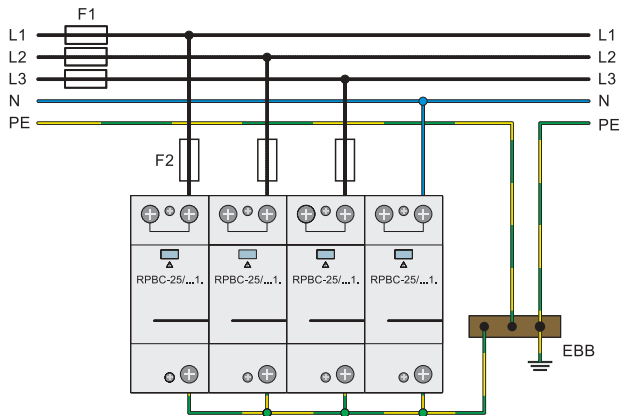


RPBC-25/280/1R

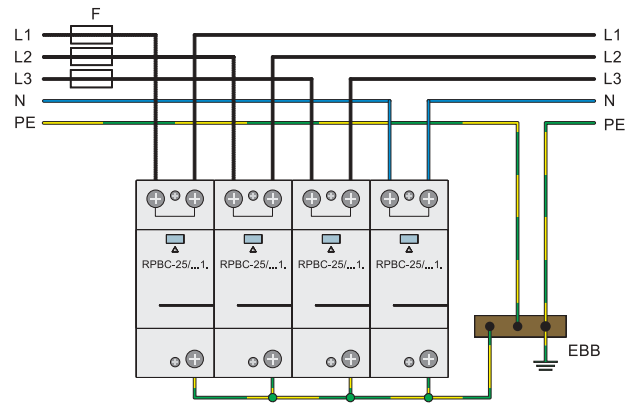


Type of arrester	RPBC-25/280/1, RPBC-25/280/1R	
Technical data		
Max. continuous operating voltage	U_c	275 / 350 V AC/DC
Nominal discharge current (8/20)	I_n	40 kA
Max. discharge current (8/20)	I_{max}	100 kA
Current peak value (10/350)	I_{imp}	25 kA
Specific energy		156 kJ/ Ω
Charge Q		12,5 As
Protection level	U_p	
• at I_n (8/20)		1,4 kV
• at I_{imp} (10/350)		1,1 kV
Follow current	I_f	no
Response time	t_A	< 25 ns
Residual current at U_c	I_{PE}	< 2,5 mA
Thermal protection		yes
Back-up fuse		max. 250 A gL (if mains > 250 A)
Short-circuit withstand		25 kA 50 Hz
Temperature range		-40...+80 °C
Cross-section of connection wire		solid: 35 mm ² stranded: 25 mm ²
Terminal screw torque		max. 4,5 Nm
Housing protection category		IP 20
Housing material		thermoplastic, extinguishing degree UL 94 V-0
Dimensions		90 x 36 x 70 mm (DIN 43880: 2TE)
Packaging dimensions		108 x 47 x 76 mm
Weight		270 g
Additional data for RPBC-...R		
Remote signalisation		potential-free contact RC
Switching capability		0,5 A / 250 V AC 3 A / 125 V AC
Cross-section of connection wire		max. 1,5 mm ²
Terminal screw torque		0,25 Nm
Weight		280 g

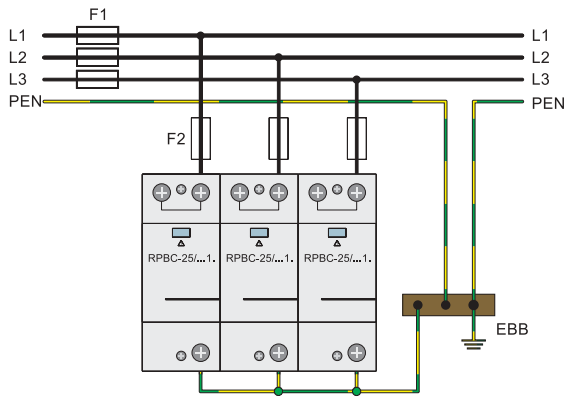




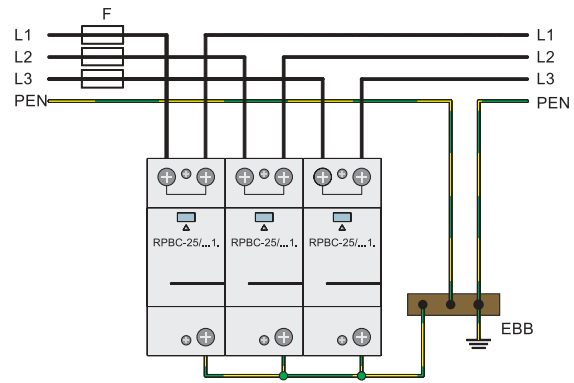
TNS three-phase network - parallel wiring



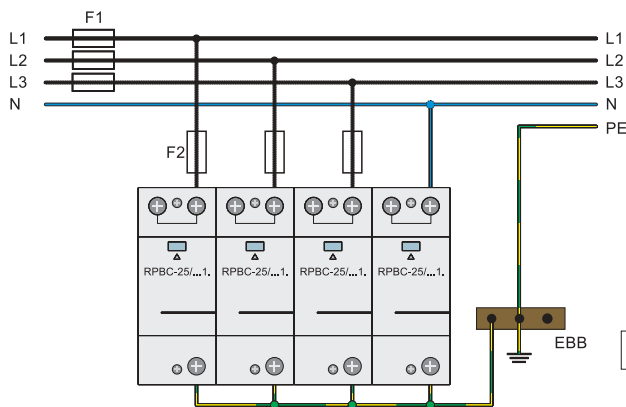
TNS three-phase network - serial (V-type) wiring



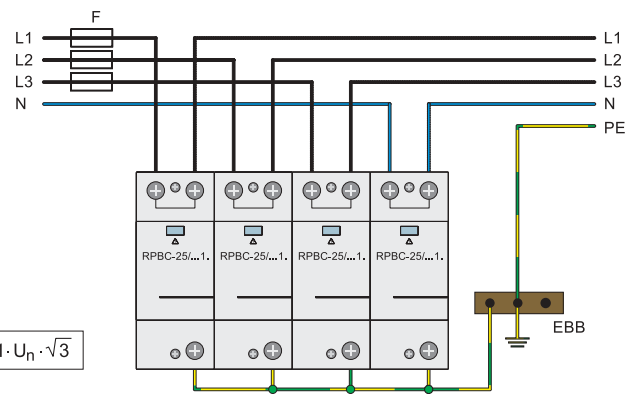
TNC three-phase network - parallel wiring



TNC three-phase network - serial (V-type) wiring



IT three-phase network - parallel wiring



IT three-phase network - serial (V-type) wiring

$$U_c \geq 1,1 \cdot U_n \cdot \sqrt{3}$$